



Product technical sheet (en)

Cookers TYP: 150

KITCHEN STOVE WITH CAST IRON HOTPLATES AND OVEN 3021



Technical parameters

150KUD

Power output

Rated output (kW)	4
Controlled power (kW)	2 - 6

Dimensions

Height (1) x Width (2) x Depth (3) (mm)	823 x 755 x 476
Maximum log length (mm)	350

Weights depending on lining

Metal sheet (kg)	125
------------------	-----

Air

Central air supply (7)	no
Secondary air control	yes
Primary air control	yes
Tertiary air supply	no
Air supply automatic control	no

Parameters

Fuel: wood [W]	
Consumption of acceptable fuel at nominal capacity (kg/hour) [W]	1,4
Heated volume (m ³)	40 - 120
Energy power efficiency (%) [W]	71
Minimum chimney draft (Pa)	12
Flue gases temperature (°C) [W]	223
Weight flow of flue gases (g/s) [W]	6,3
CO concentration at 13% O ₂ (mg/Nm ³) [W]	-
NOx concentration at 13% O ₂ (mg/Nm ³) [W]	-
OGC concentration at 13% O ₂ (mg/Nm ³) [W]	-
Dust concentration at 13% O ₂ (mg/Nm ³) [W]	-
Continuous operation for 24 hours	yes
Multiple loading door closing	no

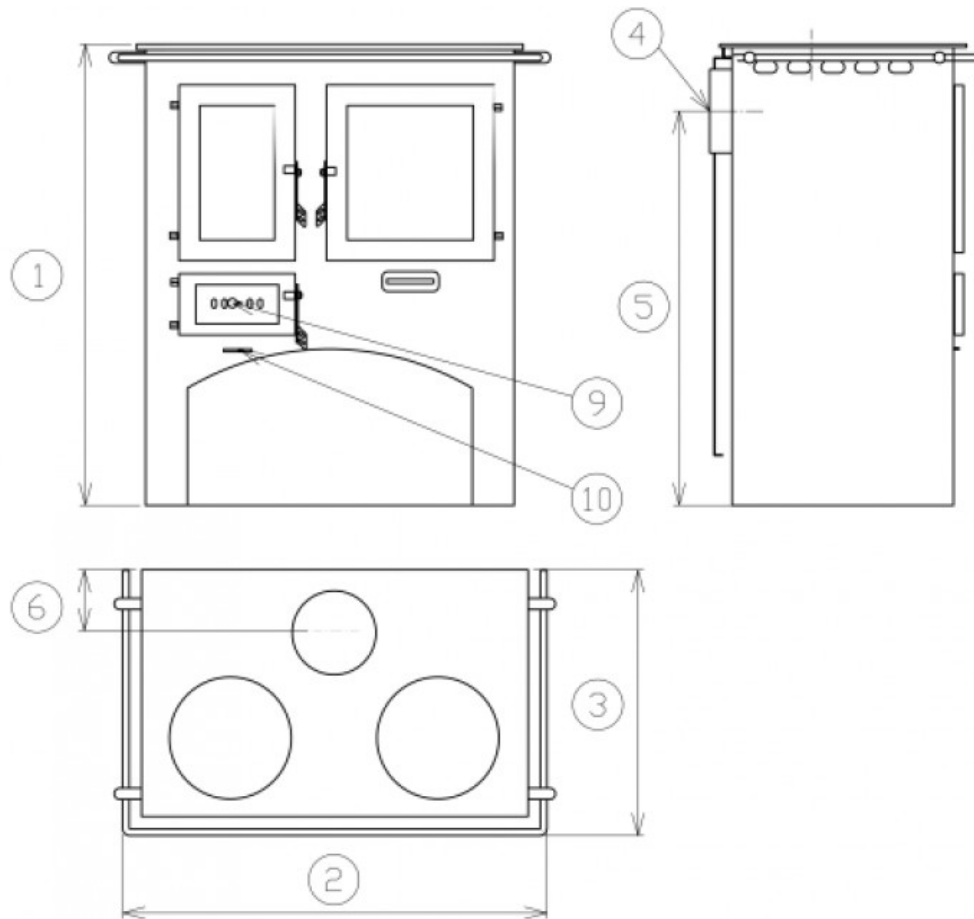
Smoke duct

Smoke duct connection (4)	top/rear
Smoke duct diameter (mm)	Ø 150
Height of axis of rear chimney flue from the floor (5) (mm)	730
Distance of axis of upper chimney flue to the rearmost product part (6) (mm)	113

Tests

EN 12815:2001/A1:2004/AC:2007	yes
-------------------------------	-----

Dimensional sketch



Additional information

1	height	823 mm
2	width	755 mm
3	depth	476 mm
4	smoke duct	Ø 150 mm
5	height of axis of rear chimney flue from the floor	730 mm
6	distance of axis of upper chimney flue to the rearmost product part	113 mm
9	primary air supply control - right open	
10	secondary air supply control - right open	

Exploded view of spare parts

