



Product technical sheet (en)

Fireplace Stoves

RENNES 5



Technical parameters

Power output

Rated output (kW)	5
Controlled power (kW)	2,5 - 7

Dimensions

Height (1) x Width (2) x Depth (3) (mm)	1088 x 482 x 373
Maximum log length (mm)	280

Weights depending on lining

Stone (kg)	115
------------	-----

Air

Central air supply (7) / diameter (mm)	yes / Ø 100
Secondary air supply / Secondary air control	yes / no
Primary air control	no
Tertiary air supply	yes
Air supply automatic control	yes
Central air supply axis height (8) (mm)	266

Parameters

Fuel: wood / wooden briquettes / brown coal briquettes [W / WB / BCB]	
Consumption of acceptable fuel at nominal capacity (kg/hour) [W / WB / BCB]	1,7 / 1,2 / 1,2
Heated volume (m ³)	50 - 140
Energy power efficiency (%) [W / WB / BCB]	82 / 80 / 84
Minimum chimney draft (Pa)	12
Flue gases temperature (°C) [W / WB / BCB]	271 / 260 / 207
Weight flow of flue gases (g/s) [W / WB / BCB]	4,2 / 4,1 / 4,7
CO concentration at 13% O ₂ (mg/Nm ³) [W / WB / BCB]	901 / 1155 / 873
NOx concentration at 13% O ₂ (mg/Nm ³) [W / WB / BCB]	116 / 71 / 168
OGC concentration at 13% O ₂ (mg/Nm ³) [W / WB / BCB]	66 / 49 / 45
Dust concentration at 13% O ₂ (mg/Nm ³) [W / WB / BCB]	15 / 9 / 34
Continuous operation for 24 hours	yes
Multiple loading door closing	yes

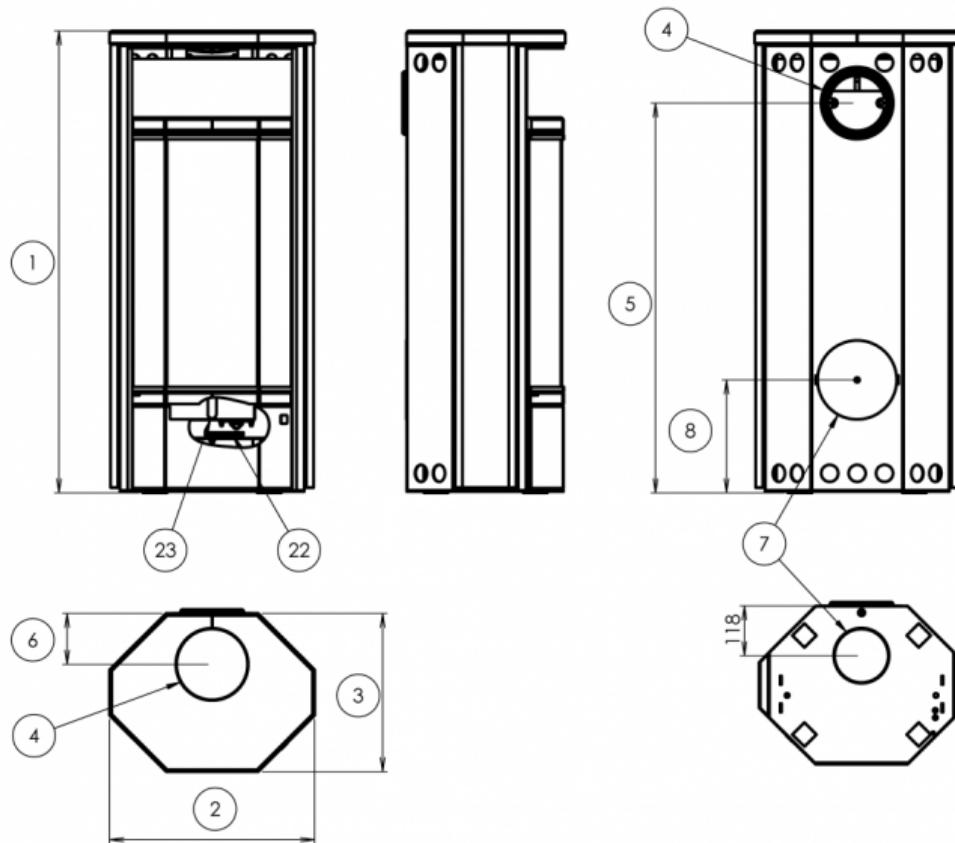
Smoke duct

Smoke duct connection (4)	top/rear
Smoke duct diameter (mm)	Ø 150
Rear smoke duct axis height (5) (mm)	918
Distance of upper smoke duct axis (6) (mm)	120

Tests

EN 13240:2001/A2:2004/AC:2007	yes
BvG §15a	yes
I. BImSchV Stufe 2	yes

Dimensional sketch



Additional information

1	height	1088 mm
2	width	482 mm
3	depth	373 mm
4	smoke duct	Ø 150 mm
5	rear smoke duct axis height	918 mm
6	distance of upper smoke duct axis	120 mm
7	central air supply	Ø 100 mm
8	central air supply axis height	266 mm
22	burning intensity control - right open	
23	Fuel type switch: on the left - wood, wooden briquettes (secondary air) / on the right - brown coal briquettes (primary air)	

Automatic regulation - Because of clean burning the proportion between the primary and secondary air supplies is adjusted automatically for the fire oven. The type of the fuel shall be setup only. A sensor detecting the temperature of the combustion gases helps to adjust automatically the proportion between the primary and secondary air supplies. The intensity of the combustion shall be regulated by the burning intensity regulator.

Setup of the fuel type: position for wood, wooden briquettes is adjusted; position for lignite briquettes - push and turn anticlockwise.

Operating of burning intensity: left - closed

Manufacturer: ABX, spol. s r.o., Žitná 1091/3, 408 01 Rumburk, Česká republika
tel.: 412 332 523, 412 333 614, fax: 412 333 521, e-mail: info@abx.cz, web: www.abx.cz

Status as of: 30.3. 2016